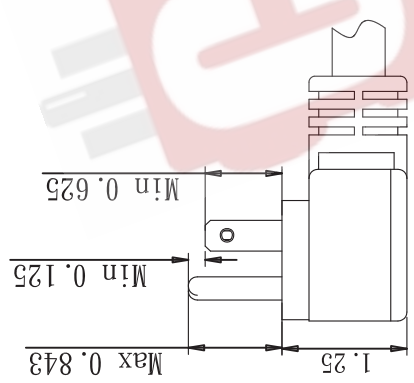
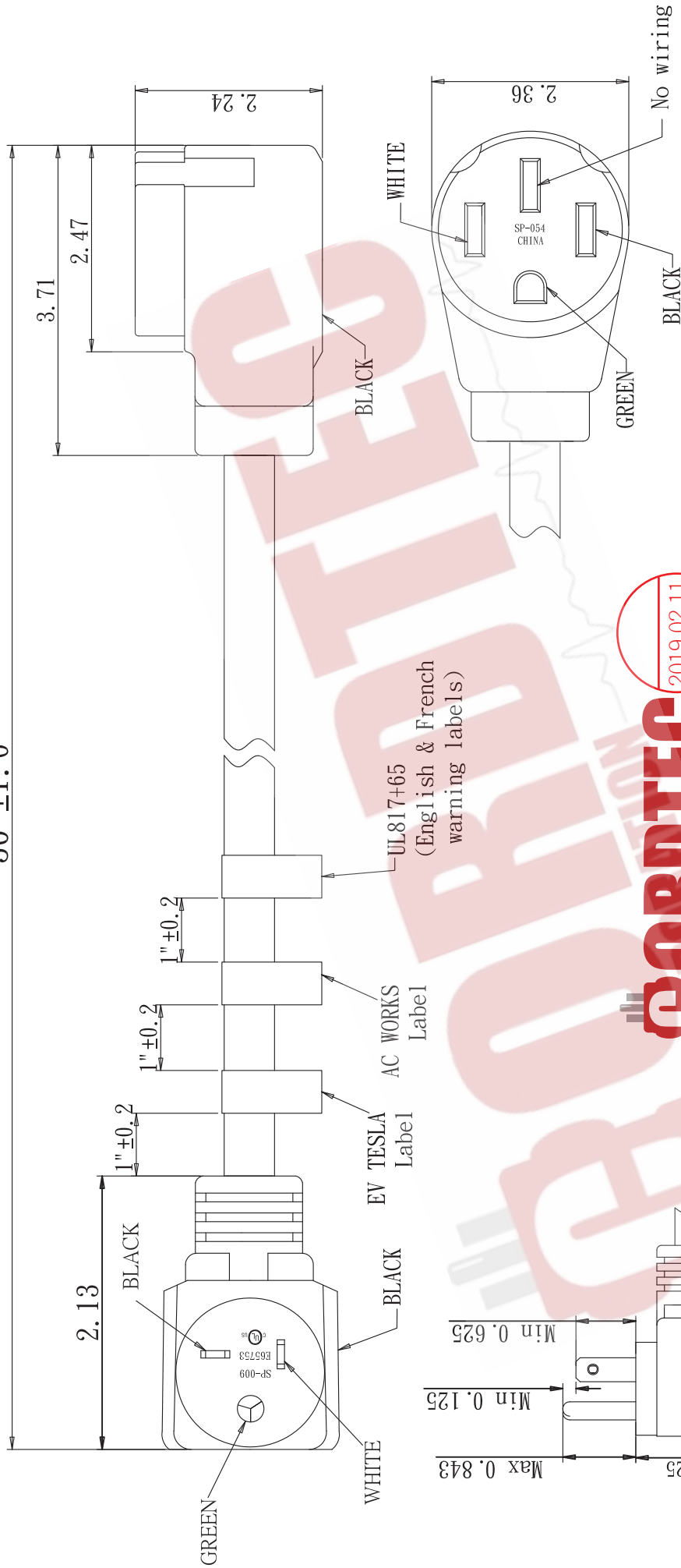


36" ±1.0"



Note :

1. Male and female terminals are nickel plated.
2. Packing : Each product is packaged in sealed bags. and add paper board.

4	Blades of Socket	SP-054 X/Y/W/G Terminal
3	Blades of Plug	GEM:98695BS-1*2PCS;98473BS-1
2	PVC of Plug & Socket	45P BLACK
1	Spec. of Cord	STW 12/3C 105C 75P GY-H 36"±0.5"
No.	Name	Specification

UNIT: Inch.		ITEM: EV620MS-036	
DWG NO. : 1 of 1		CUSTOMER: Cordtec Power	
TOLERANCE	DATE	SCALE	REV
	2019.02.12		1.0
		DRAWN	CHECKED
		Alex	APPROVED

**AC Connectors of Cordtec Power Corp**  
 Main: 1-414-434-2220 Fax: 1-414-323-8386  
 Text: 1-414-323-3240  
 Email : Info@CordtecPower.com  
 Website: CordtecPower.com/ ACWORKS.com

